

OPR 30

OPR 60

**ABB**

Operating instructions

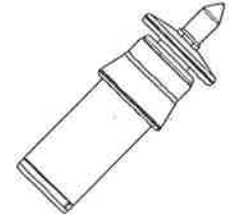
2CTB 8998 00 R 70 00

2CTB 8998 00 R 71 00

Early streamer emission lightning rod

OPR 60

OPR 30



2CTD432012M9702

### Parts list

- ① rounded metal tip L 46mm  $\varnothing$ 18mm
- ② upper ring of the air gap
- ③ high voltage generator
- ④ threaded pole  
 $\varnothing$  int. 26mm  
 $\varnothing$  ext. 30mm
- ⑤ down conductor to OPR rod connecting clamp (not included)

### Erection procedure

- Screw part ③ on part ④
- Screw the locking screws located on parts ③ with the key delivered in the parcel
- Screw part ⑤ on part ④ to enable to tighten the down conductor
- Make sure that the down conductor is strongly tightened to the connecting clamp

### Operating

The OPR is a self contained device and needs no external power supply. It uses the ambient electric field existing during the thunderstorm to function and the lightning conductor will activate as soon as the thunderstorm is approaching.

### Packing

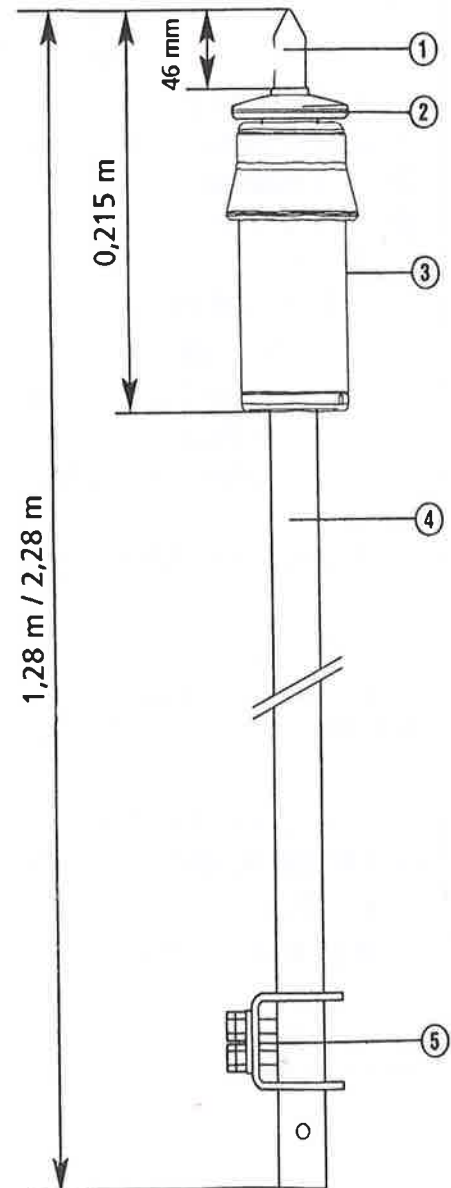
- 1 cardboard box containing ① + ② + ③ + ⑤ and an allan key for the locking screws.

### Nota

The connecting clamp ⑤ must always be fixed to part ④ and not on extension mast if any.

### Warning

OPR units do not withstand a continuous temperature greater than 120°C



B89985320-01

**ABB Lightning Protection Group**

1, avenue des victimes du 11 juin 44  
65203 Bagnères de Bigorre (France)  
phone : 33 5 62 91 45 60  
fax : 33 5 62 95 42 99

OPR 30

OPR 60



Operating Instructions

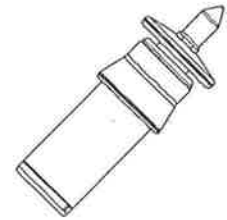
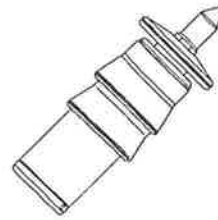
2CTB 8998 00 R 70 00

2CTB 8998 00 R 71 00

Early streamer emission lightning rod

OPR 60

OPR 30



2CTD432012M9702

### Parts list

- ① rounded metal tip L 46mm  $\varnothing$ 18mm
- ② upper ring of the air gap
- ③ high voltage generator
- ④ threaded pole  
 $\varnothing$  int. 26mm  
 $\varnothing$  ext. 30mm
- ⑤ down conductor to OPR rod connecting clamp (not included)

### Erection procedure

- Screw part ③ on part ④
- Screw the locking screws located on parts ③ with the key delivered in the parcel
- Screw part ⑤ on part ④ to enable to tighten the down conductor
- Make sure that the down conductor is strongly tightened to the connecting clamp

### Operating

The OPR is a self contained device and needs no external power supply. It uses the ambient electric field existing during the thunderstorm to function and the lightning conductor will activate as soon as the thunderstorm is approaching.

### Packing

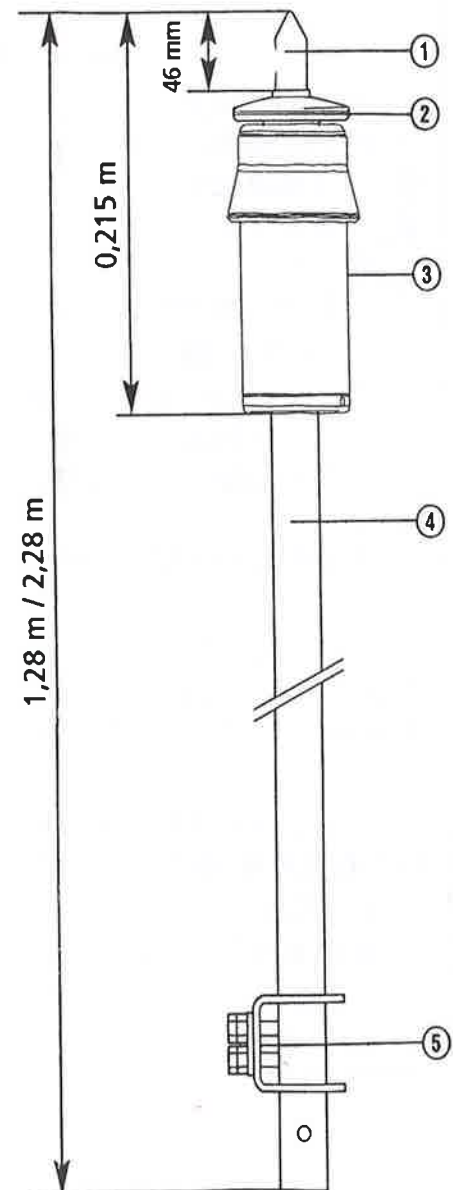
- 1 cardboard box containing ① + ② + ③ + ⑤ and an allen key for the locking screws.

### Nota

The connecting clamp ⑤ must always be fixed to part ④ and not on extension mast if any.

### Warning

OPR units do not withstand a continuous temperature greater than 120°C



B89985320-01

**ABB Lightning Protection Group**

1, avenue des victimes du 11 juin 44  
65203 Bagnères de Bigorre (France)  
phone : 33 5 62 91 45 60  
fax : 33 5 62 95 42 99